



HD-Series

Manual Y471147HD-V2





HD-Series

Manual Y471147HD-V2



WARNINGS



NOTE: Do not overtighten the bolts, this can cause damage to the guide bush!

EN: SMART CART INSTRUCTION

We thank you for buying this WinnTec quality product. Do not overload beyond rated capacity 200 kg.

This WinnTec product has one year limited warranty* from the date of purchase. If your product proves faulty during the guarantee period, it should be returned to the place of purchase together with the original receipt.

* Excluding wear and tear.



HD-Series

Manual Y471147HD-V2


Specifications

Height = 1385 mm

Width = 610 mm

Depth = 695 mm

 200 kg

 23,3 kg

EN: SMART CART INSTRUCTION

We thank you for buying this WinnTec quality product. Do not overload beyond rated capacity (200KG).

This WinnTec product is fully guaranteed against manufacturing defects for a period of 12 months from the date of purchase. If your product proves faulty during the guarantee period, it should be returned to the place of purchase together with the original receipt.





HD-Series

Manual Y471147HD-V2

Specifications

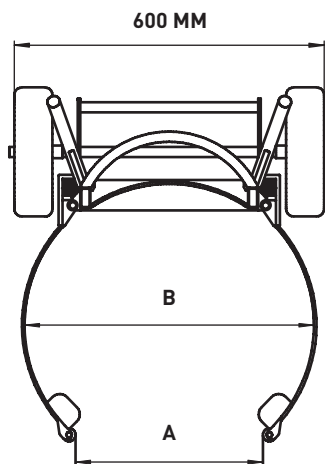
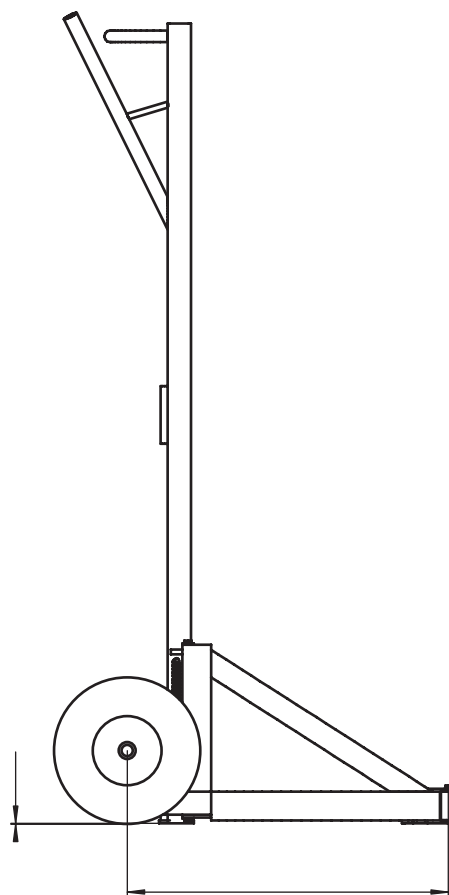
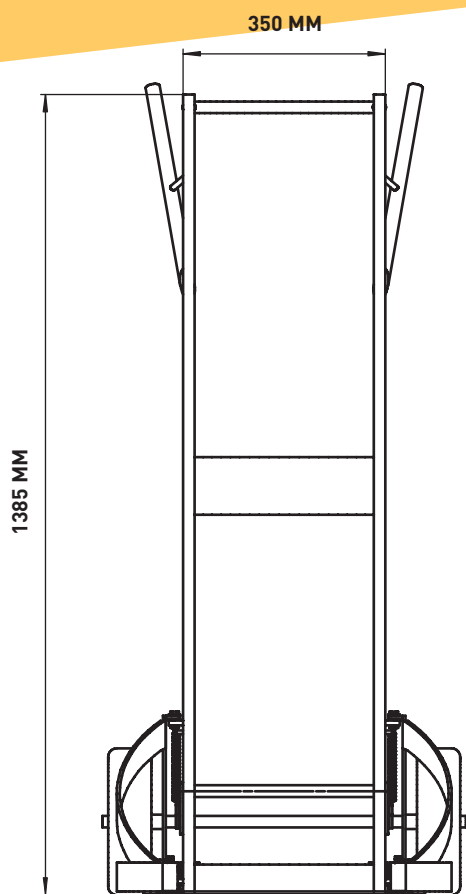
Height = 1385 mm

Width = 610 mm

Depth = 695 mm

200 kg

23,3 kg

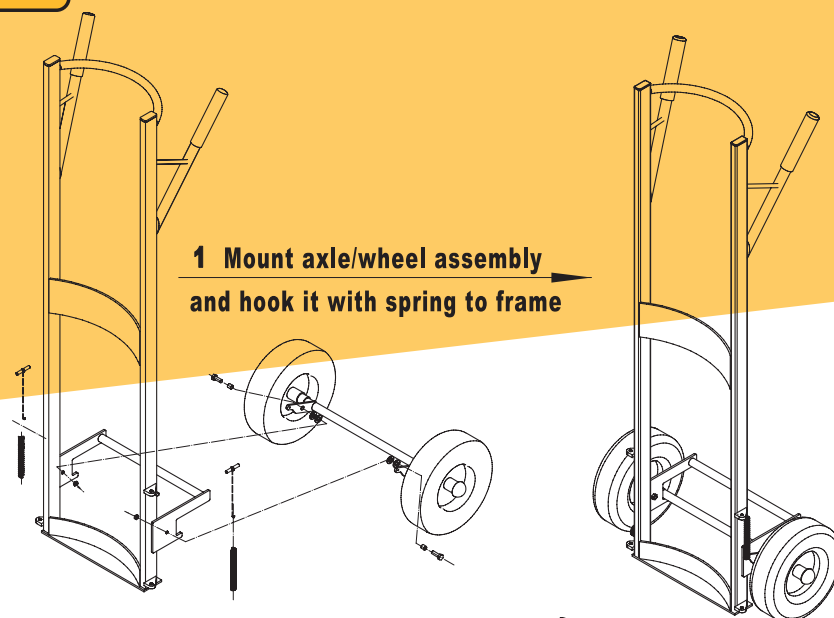


	NEUTRAL/STILL	EXPANDED
A	440 MM ±10MM	730 MM + 20MM - 10MM
B	560 MM ±10MM	750 MM + 20MM - 10MM

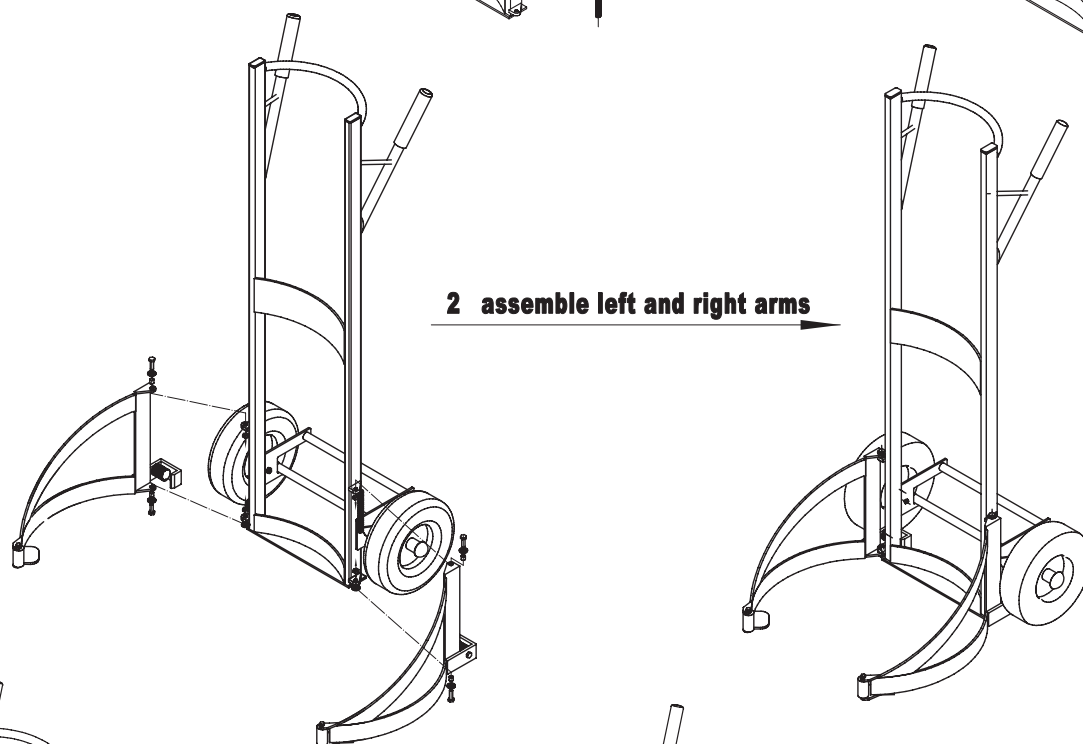


HD-Series

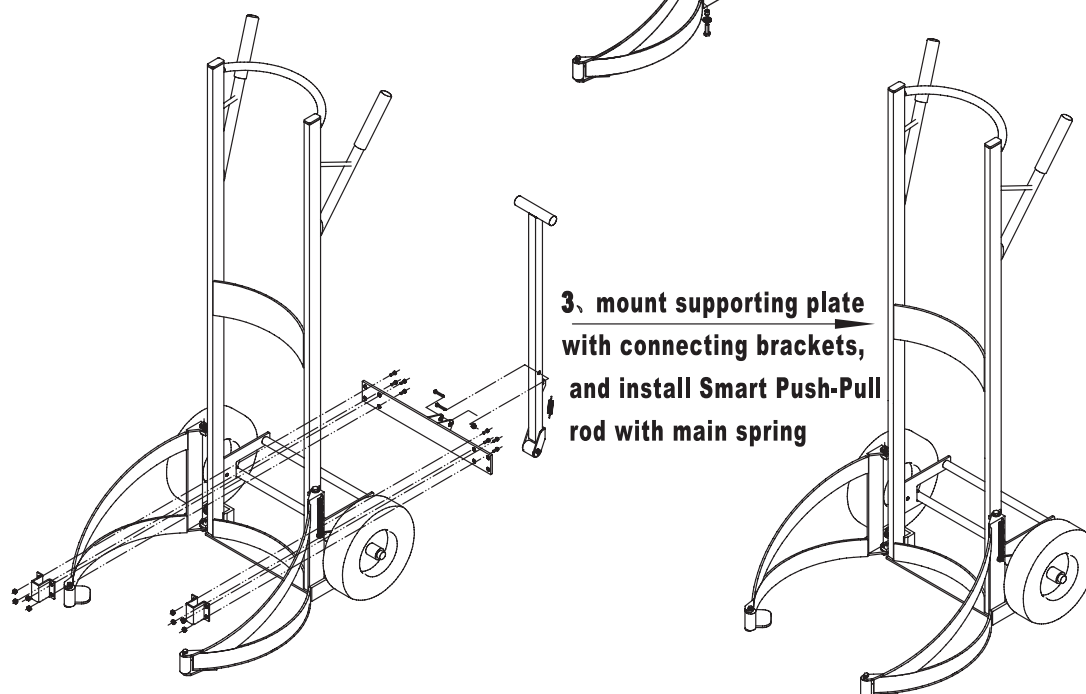
Y471147HD-V2



**1 Mount axle/wheel assembly
and hook it with spring to frame**



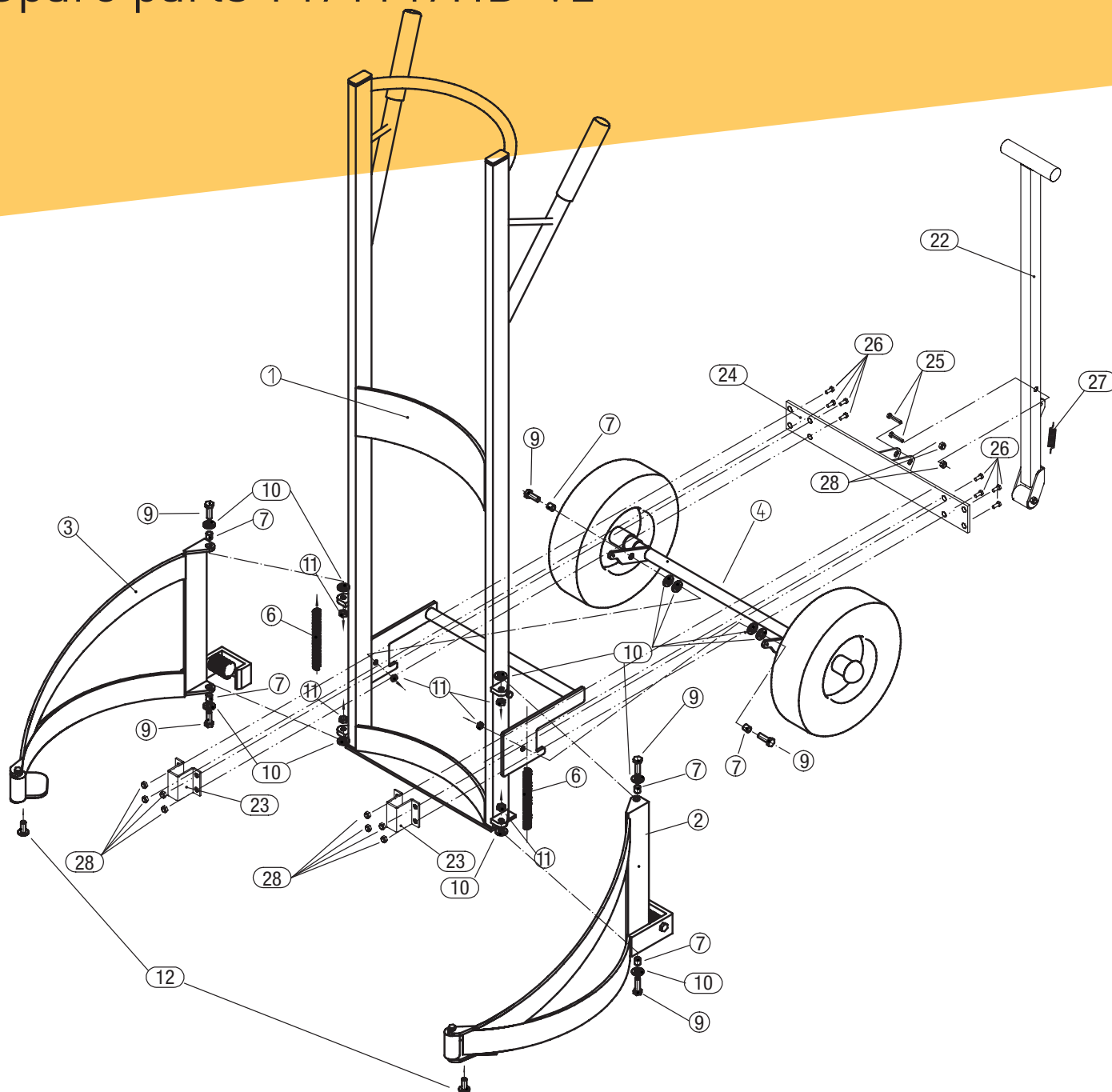
2 assemble left and right arms



**3. mount supporting plate
with connecting brackets,
and install Smart Push-Pull
rod with main spring**

HD-Series

Spare parts Y471147HD-V2

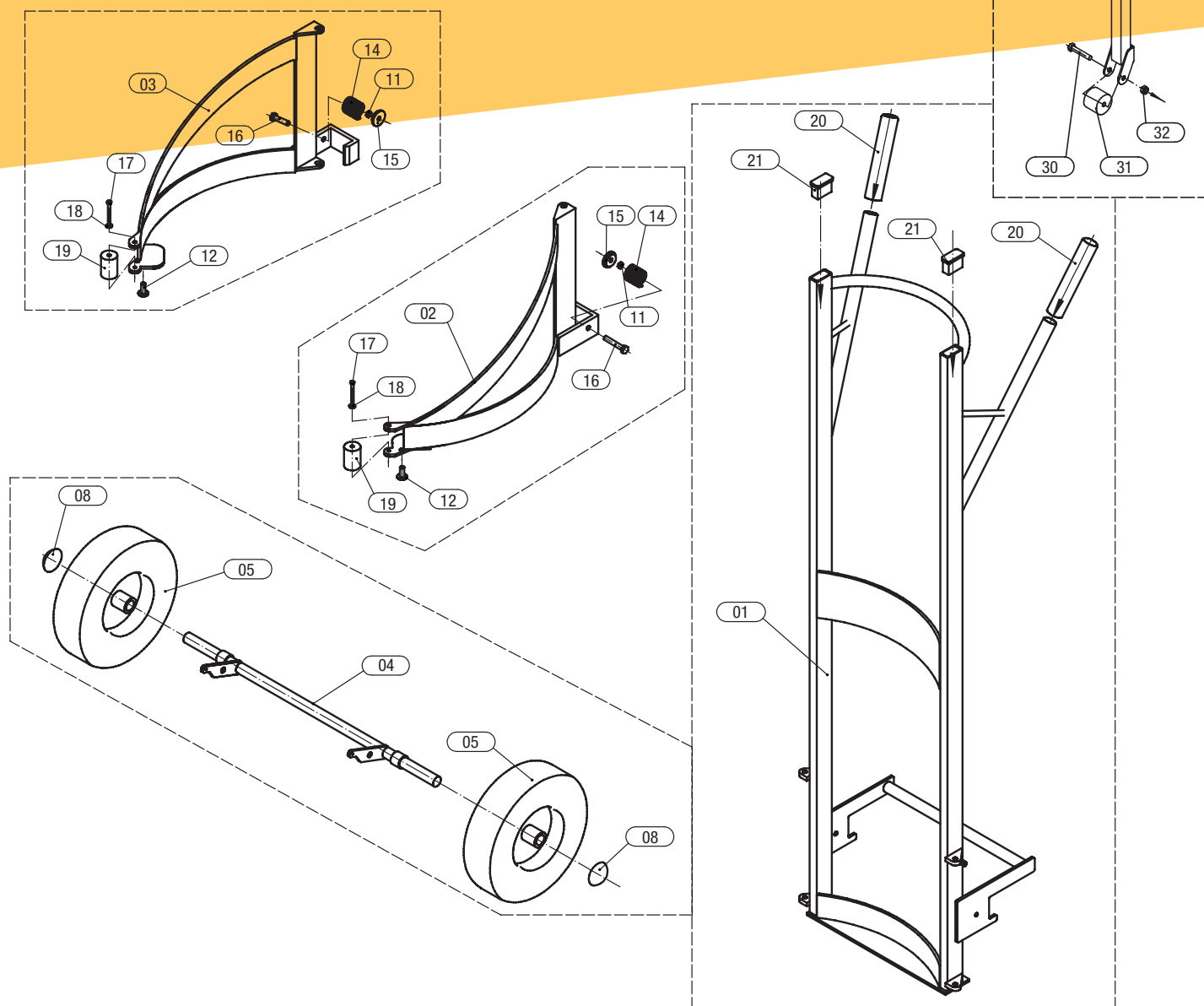


ART NR	DESCRIPTION	QTY	ART NR	DESCRIPTION	QTY
Y471147HD-V2-01	MAIN STAND WELDMENT	1	Y471147HD-V2-12	NYLON PLUGS M8-1.25x15MM (SPARE)	2
Y471147HD-V2-02	LEFT CLAMP ARM WELDMENT	1	Y471147HD-V2-22	SMART PUSH ROD	1
Y471147HD-V2-03	RIGHT CLAMP ARM WELDMENT	1	Y471147HD-V2-23	CONNECTION	2
Y471147HD-V2-04	AXLE WELDMENT	1	Y471147HD-V2-24	PUSH ROD'S SUPPORT	1
Y471147HD-V2-06	TENSION SPRING Ø 10x1.6	2	Y471147HD-V2-25	HEX BOLT M8-1.25x45MM	2
Y471147HD-V2-07	SPACER SPOOL	6	Y471147HD-V2-26	HEX BOLT M8-1.25x20MM	8
Y471147HD-V2-09	HEX BOLT M8-1.25x25MM	6	Y471147HD-V2-27	MAIN SPRING	1
Y471147HD-V2-10	FLAT WASHER M10 ID10.5xOD20x2.0	12	Y471147HD-V2-28	FLANGE NYLON HEX NUT M8-1.25	10
Y471147HD-V2-11	HEXAGONAL NUT M8-1.25	6			



HD-Series

Spare parts Y471147HD-V2



ART NR	DESCRIPTION	QTY	ART NR	DESCRIPTION	QTY
Y471147HD-V2-01	MAIN STAND WELDMENT	1	Y471147HD-V2-17	HEX BOLT M6-1.0x60MM	2
Y471147HD-V2-02	RIGHT CLAMP ARM WELDMENT	1	Y471147HD-V2-18	FLAT WASHER M6	2
Y471147HD-V2-03	LEFT CLAMP ARM WELDMENT	1	Y471147HD-V2-19	NYLON ROLLER	2
Y471147HD-V2-04	AXLE WELDMENT	1	Y471147HD-V2-20	END CAP FOR FRAME	2
Y471147HD-V2-05	PU FOAM WHEEL 10"X3-4.00	2	Y471147HD-V2-21	PIPE PLUG	1
Y471147HD-V2-08	AXLE CAP	2	Y471147HD-V2-29	PIPE PLUG	2
Y471147HD-V2-11	HEXAGONAL NUT M8-1.25	2	Y471147HD-V2-30	HEX BOLT M8-1.25x55MM	1
Y471147HD-V2-12	NYLON PLUGS M8-1.25x15MM (SPARE)	2	Y471147HD-V2-31	NYLON ROLLER	1
Y471147HD-V2-14	COMPRESS SPRING	2	Y471147HD-V2-32	HEX NYLON NUT M8-1.25	1
Y471147HD-V2-15	WASHER WITH THREAD	2	Y471147HD-V2-33	SMART PUSH ROD	1
Y471147HD-V2-16	HEX BOLT M8-1.25x45MM	2			