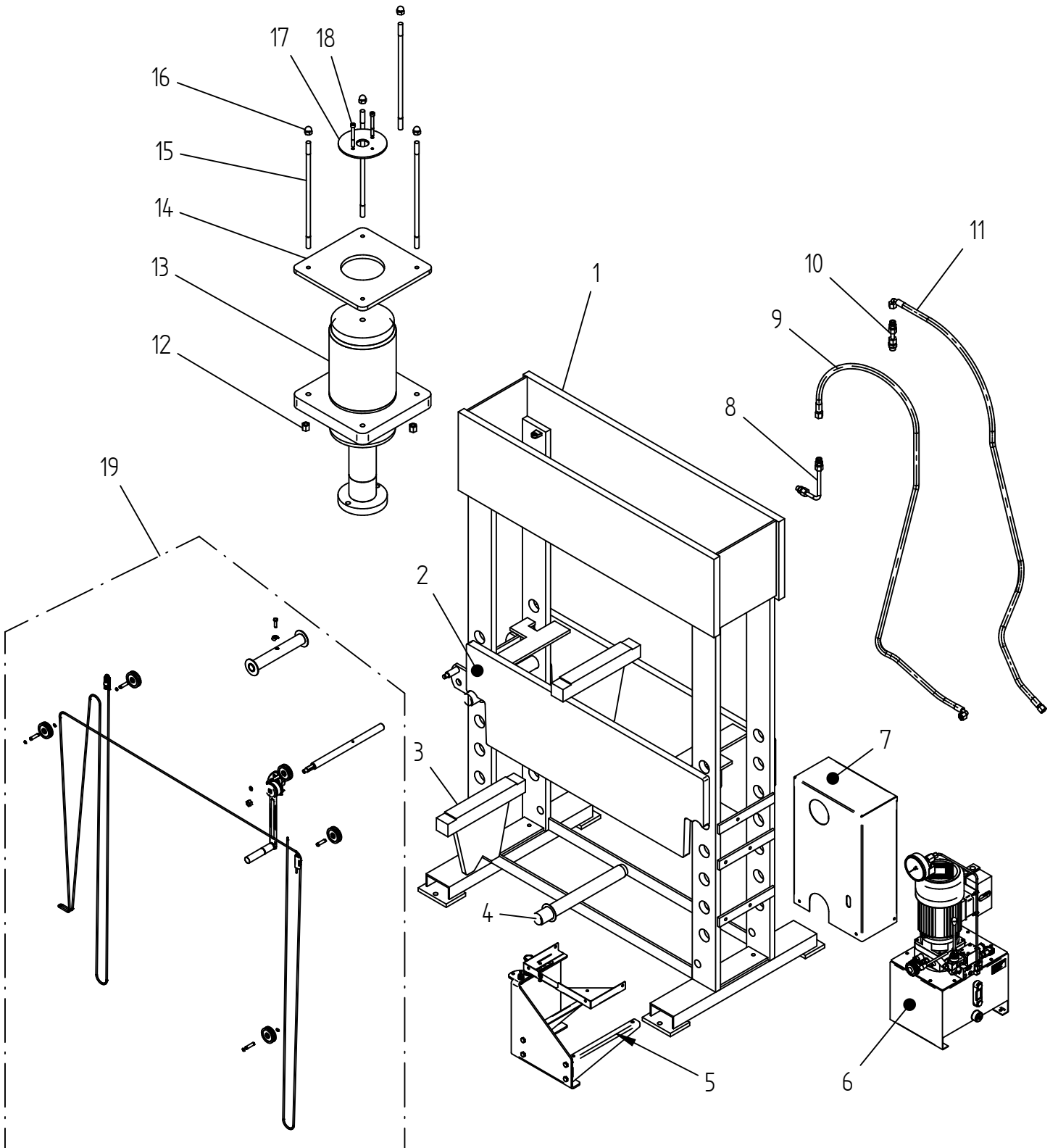


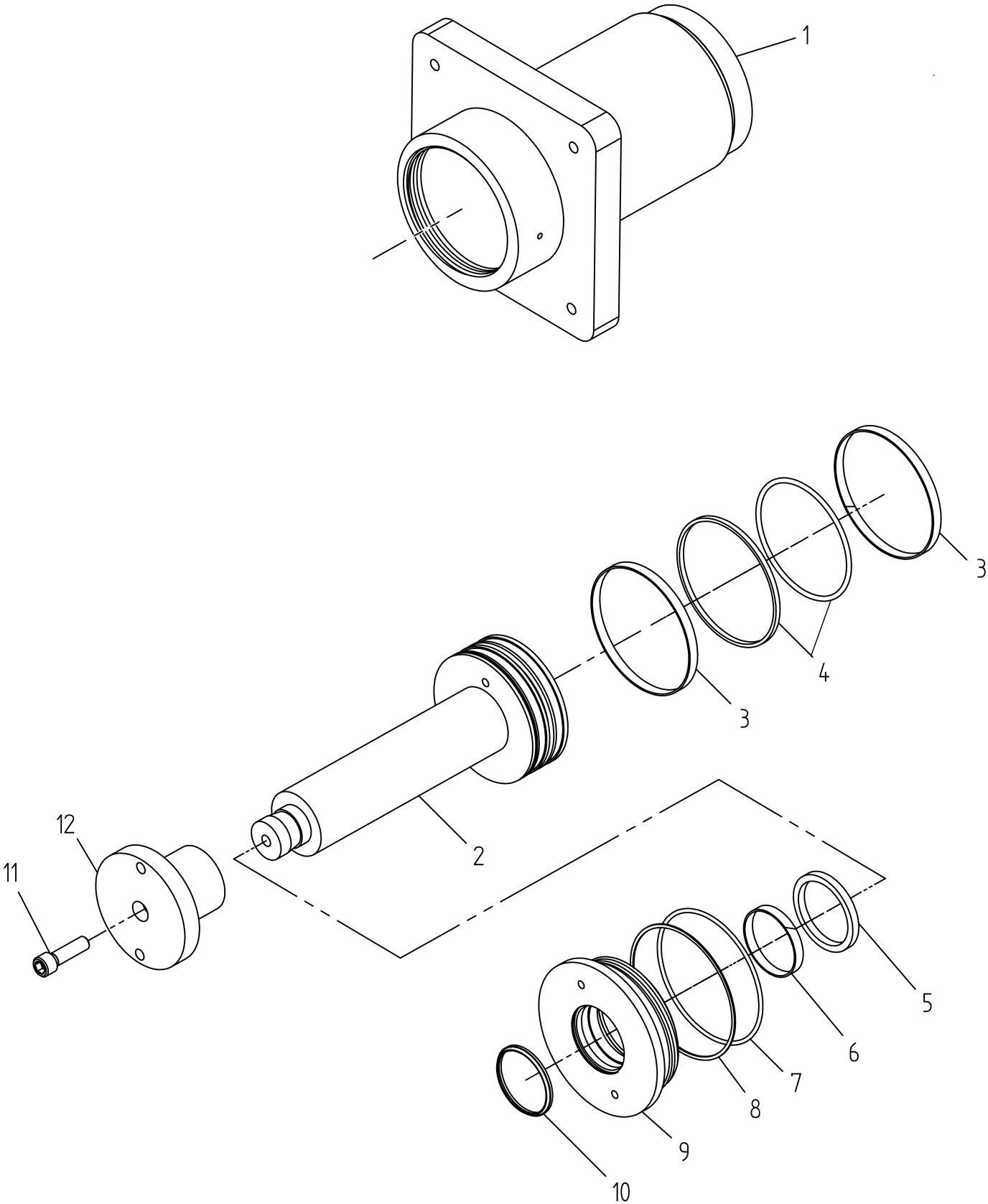
EP 100 D G7



EP 100 D G7

| Pos | No. | Dansk | Deutsch | English | Français |
|-----|--------|-----------------------|-----------------------|--------------------------|-----------------------|
| 1 | 003647 | Chassis | Chassis | Chassis | Châssis |
| 2 | 003648 | Bord | Tisch | Bench | Table |
| 3 | 003649 | Retteklods | Richtbock | Straightening block | Blocs de redressage |
| 4 | 003650 | Nagle | Nagel | Shaft | Rivet |
| 5 | 003668 | Pumpeophæng | Pumpenträger | Pump hinge | support de pompe |
| 6 | 928192 | Pumpe | Pumpe | Pump | Pompe |
| 7 | 003818 | Skærm | Abdeckung | Cover | Couverture |
| 8 | 003670 | Rør m. fitting | Anschlussrohr | Connection pipe | Tuyau de raccordement |
| 9 | 003655 | Slange | Schlauch | Hose | montages de Cylindre |
| 10 | 003671 | Rør m. fitting Tryk | Anschlussrohr Druck | Connection pipe Pressure | Tuyau de raccordement |
| 11 | 003655 | Slange | Schlauch | Hose | montages de Cylindre |
| 12 | 851697 | Møtrik | Mutter | Nut | Ecrou |
| 13 | 003807 | Cylinder | Zylinder | Cylinder | Vis |
| 14 | 003651 | Cylinder ophæng | Zylinderbefestigungen | Cylinder bracket | Disque de Sécurité |
| 15 | 003652 | Støttebolt f Cylinder | Schraube | Screw | Ecrou |
| 16 | 851696 | Møtrik | Mutter | Nut | Tube |
| 17 | 003551 | Sikkerhedsskive | Sicherungsscheibe | Safety Washer | Cabestan |
| 18 | 003661 | Skrue | Schraube | Screw | Ecrou |
| 19 | 050138 | Spil | Winde | Winch | Huinche completo |
| | 060116 | Pakningssæt | Dichtungssatz | Repair kit | Jeu de reparation |

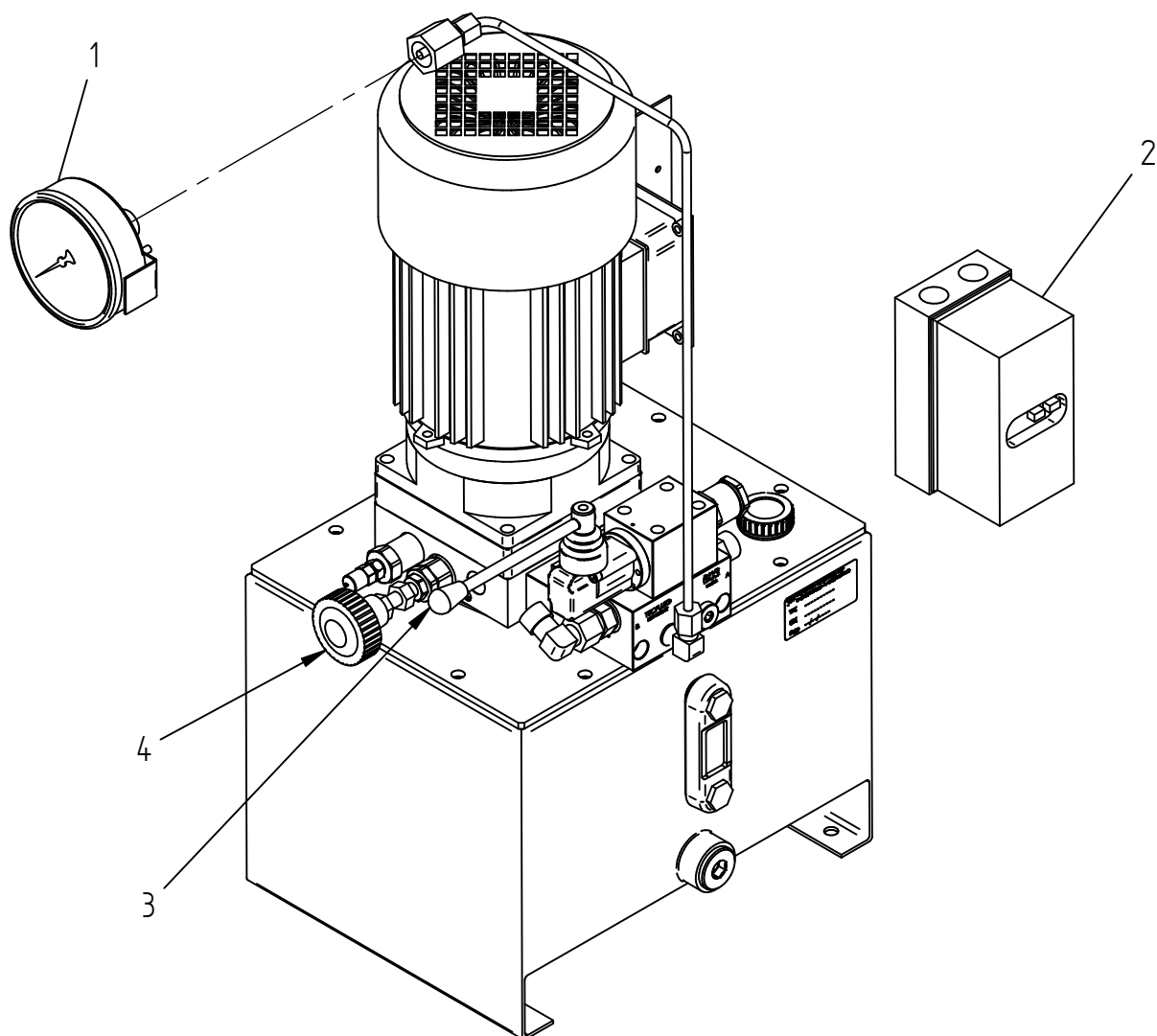
003807



003807

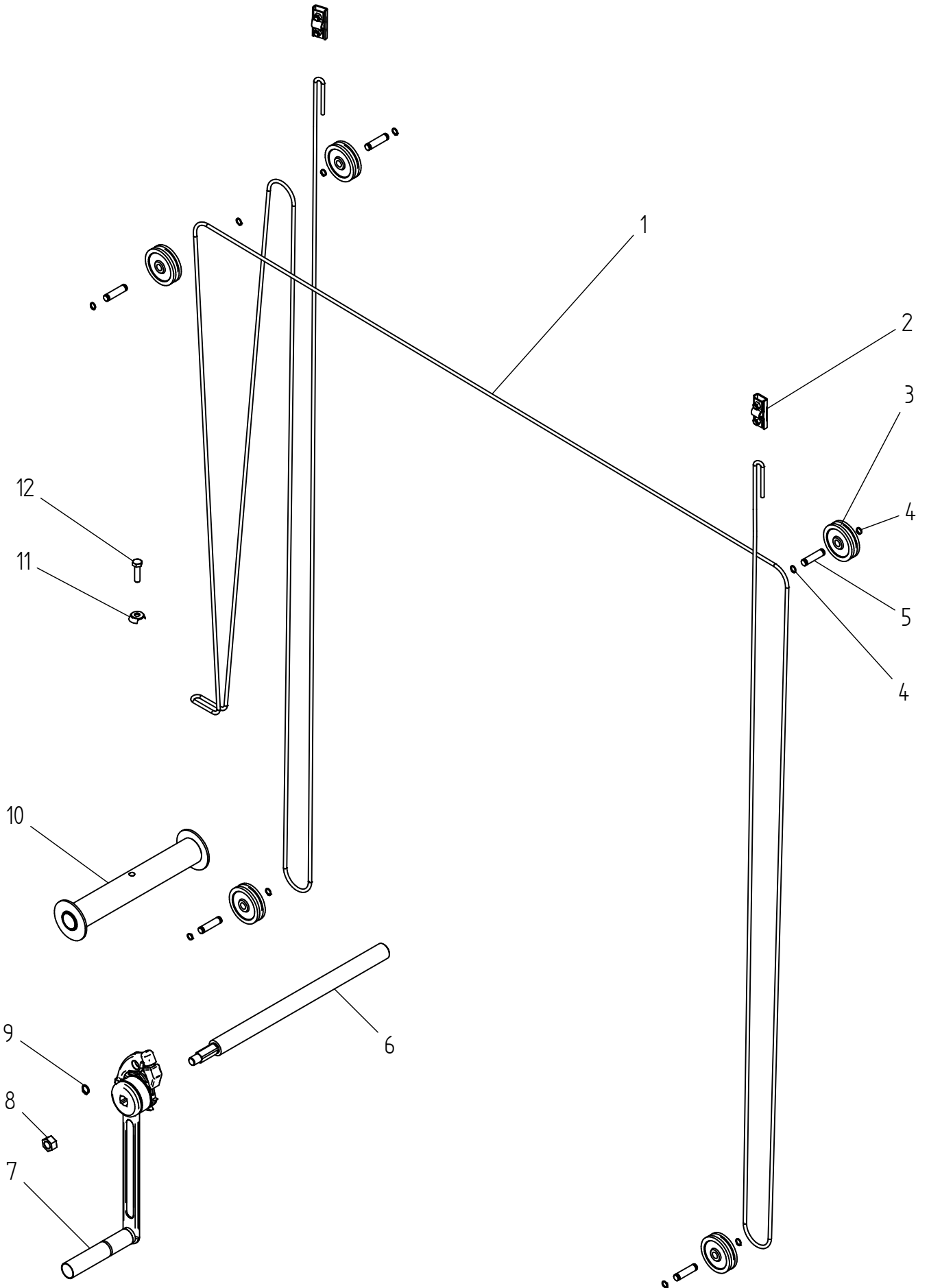
| Pos | No. | Dansk | Deutsch | English | Français |
|-----|--------|------------------------|----------------------------|-----------------------------|------------------------------|
| 1 | 003656 | Cylinder | Zylinder | Cylinder | Cylindre |
| 2 | 003806 | Stempel | Kolben | Piston | Piston |
| 3 | * | Føringsbånd | Bushing | Buchse | Douille |
| 4 | * | Manchet, O-ring | Manschette, O-ring | Sleeve, O-ring | Anneau, O-ring |
| 5 | * | Manchet | Manschette | Sleeve | Anneau |
| 6 | * | Føringsbånd | Bushing | Buchse | Douille |
| 7 | * | O-ring | O-ring | O ring | Joint torique |
| 8 | * | Støttering | Führungsring | Support ring | Anneau-support |
| 9 | 003658 | Pakdåse | Stopfbüchse | Stuffing box | Ecrou piston |
| 10 | * | Skrabering | Abstreifring | Scraper ring | Segment racleur |
| 11 | 850693 | Skrue | Schraube | Screw | Vis |
| 12 | 003672 | Tryk-trækflange | Flansch | Collar | Base |
| | 060116 | Pakningsæt | Dichtungssatz | Repair kit | Jeu de joints |
| | * | Indeholdt i pakningsæt | Im Dichtungssatz enthalten | Contained in the repair-kit | Contenu dans le jeu de joint |

928192



| Pos | No. | Dansk | Deutsch | English | Français |
|-----|--------|------------------------|---------------------------------------|--------------------------------------|--|
| 1 | 003640 | Manometer | Manometer | Manometer | Manomètre |
| 2 | 003569 | Motorværn | Motorschutzschalter | Motor protection | Interupteur protecteur |
| 3 | 003568 | Håndtag op ned | Handgriff für bedienung | Handle up down | Poignée de commande |
| 4 | 003673 | Håndtag trykregulering | Handgriff für Druchkbegrenzungsventil | Handle for the excess pressure valve | Poignée pour soupape de limitation de pression |

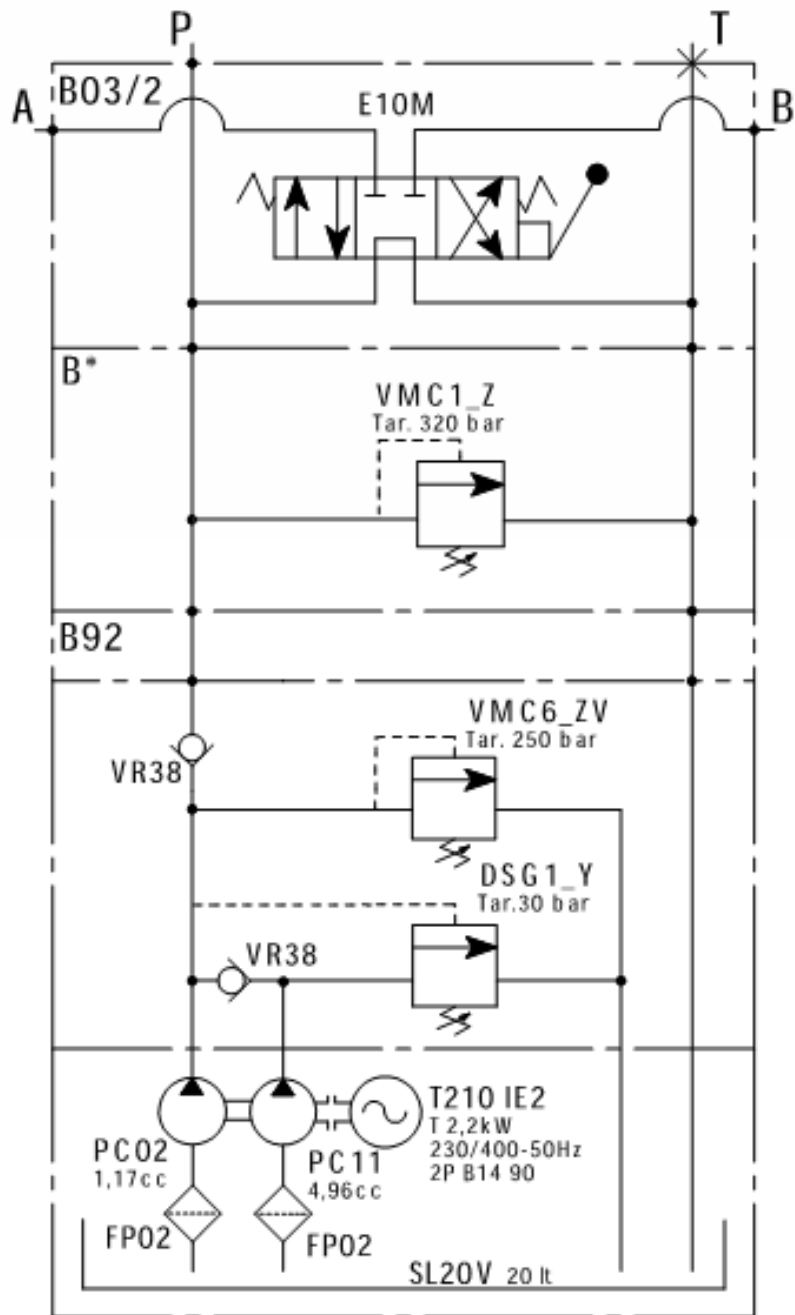
050138



050138

| Pos | No. | Dansk | Deutsch | English | Français |
|-----|--------|--------------------|----------------------|---------------|-------------------------------------|
| 1 | 000732 | Wire | Draht | Wire | Câble |
| 2 | 001645 | Wirelås 5 mm | Drahtseilklemme 5 mm | Wirelock 4 mm | Fixation p. câble 5 mm |
| 3 | 000392 | Rulle | Rolle | Roller | Poulie |
| 4 | 000120 | Låsering | Seegering | Lock ring | Circlips |
| 5 | 002439 | Nagle | Nagel | Rivet | Rivet |
| 6 | 003654 | Aksel | Achse | Shaft | Arbre |
| 7 | 001587 | Håndtag m. bremse- | Handgriff mit | Handle with | Manivelle avec freinage de sécurité |
| 8 | 001573 | Møtrik 1/2" UNF | Mutter 1/2" UNF | Nut 1/2" UNF | Ecrou 1/2" UNF |
| 9 | 001586 | Låsering | Seegering | Lock ring | Circlips |
| 10 | 003665 | Bom | Rolle | Pulley | Rouleau |
| 11 | 001590 | Lås for wire | Drahtseilklemme | Lock for wire | Fixation p. cable |
| 12 | 003662 | Sætskrue | Schraube | Screw | Vis M8 |

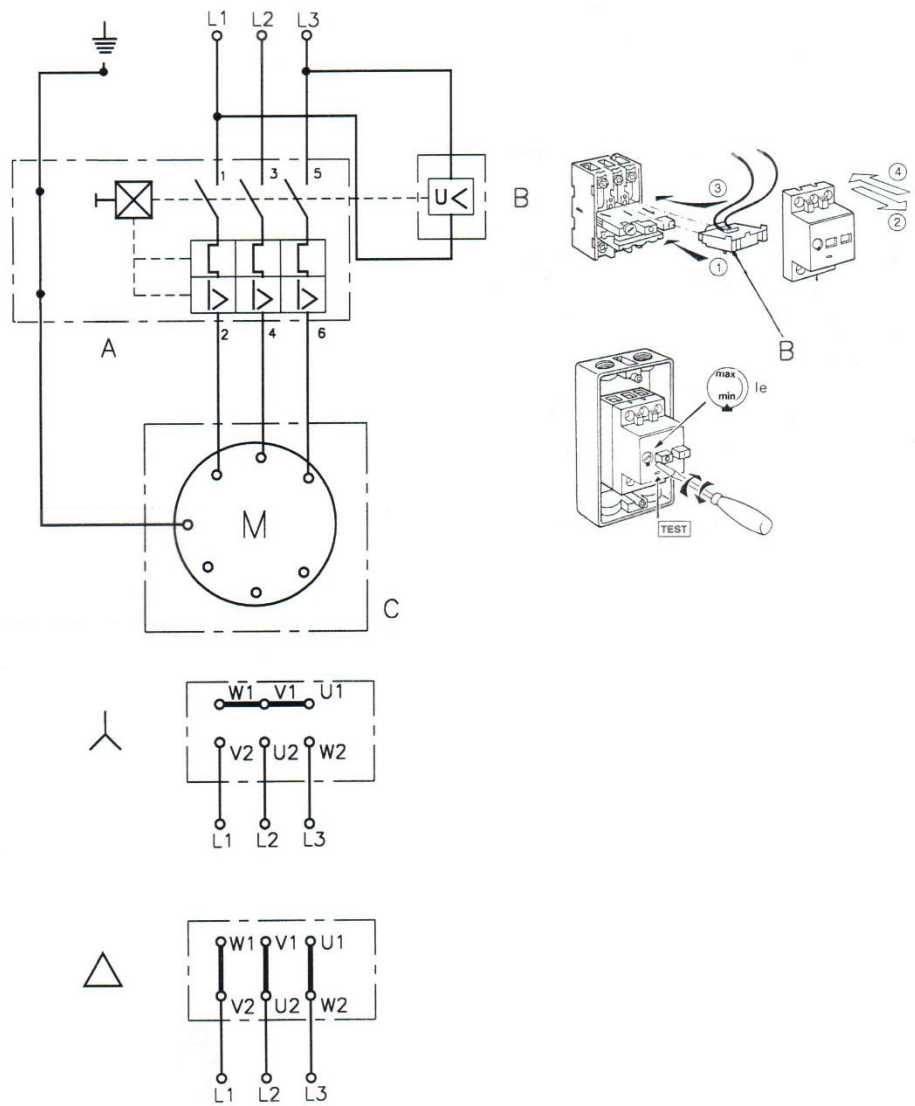
EP 100 D G7



P – T = G 1/4"

A-B G 3/8"

EP 100 D G7



| 50 Hz | V | I _e | Rpm | Kw |
|-------|-----------|----------------|------|-----|
| | 3 x 400 V | 4,59 A | 2870 | 2,2 |
| | 3 x 230 V | 7,95 A | 2870 | 2,2 |

| 60 Hz | V | I _e | Rpm | Kw |
|-------|-----------|----------------|------|------|
| | 3 x 480 V | 4,59 A | 3440 | 2,64 |
| | 3 x 275 V | 7,95 A | 3440 | 2,64 |