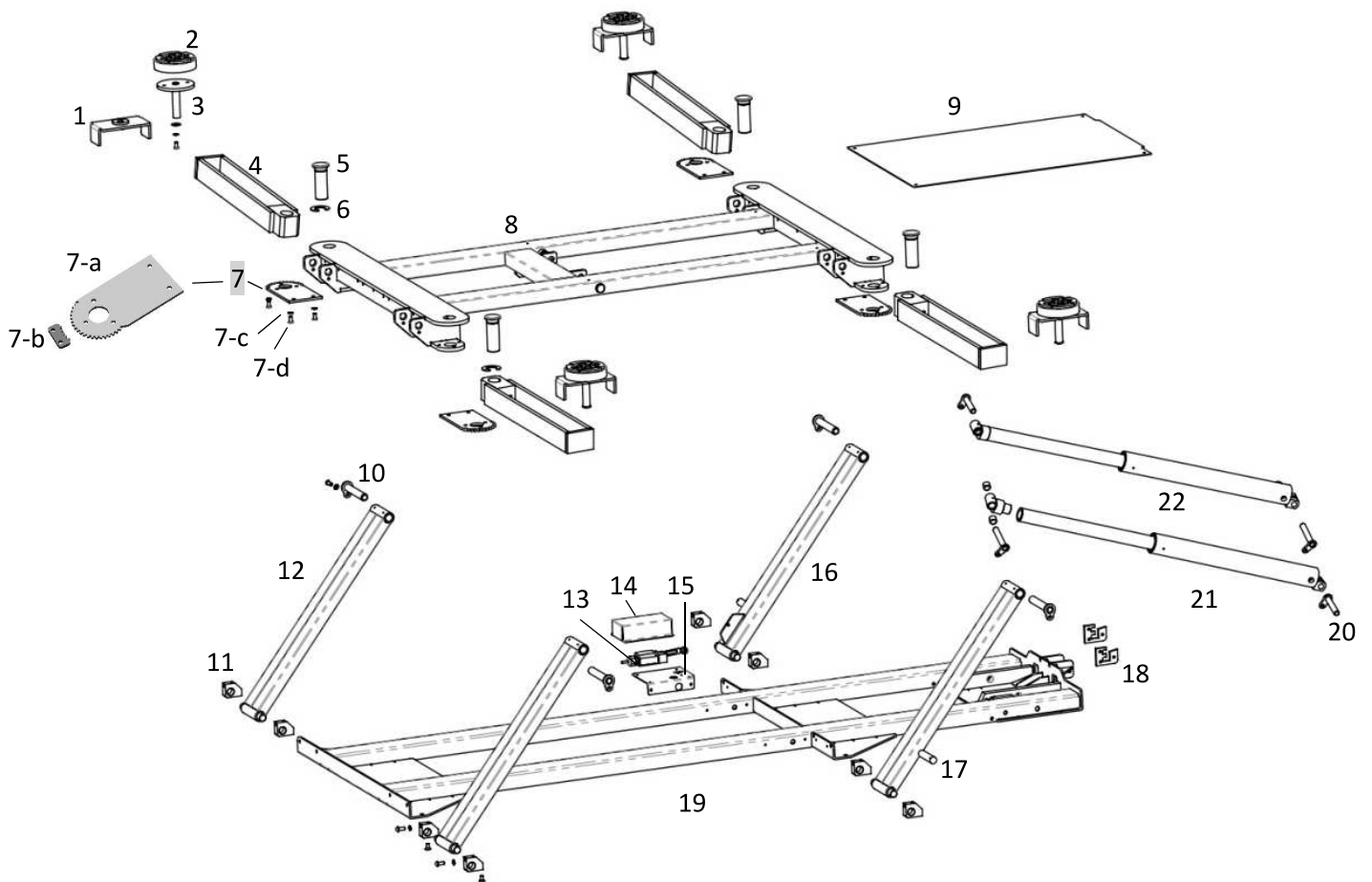
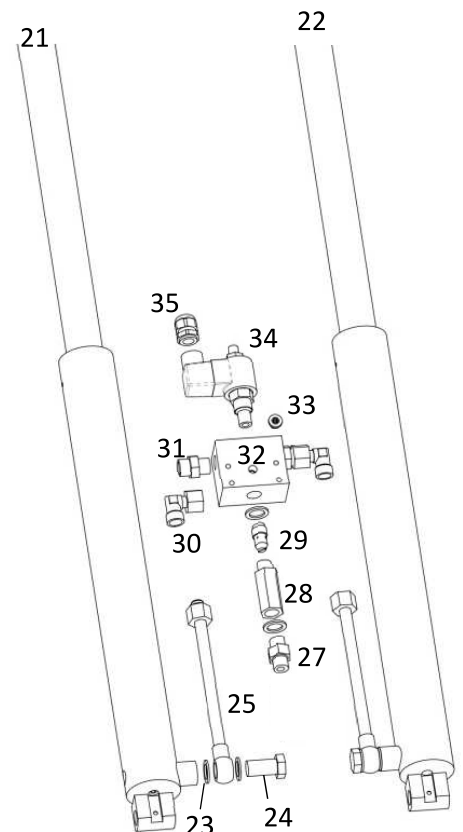


**SPARE PARTS**

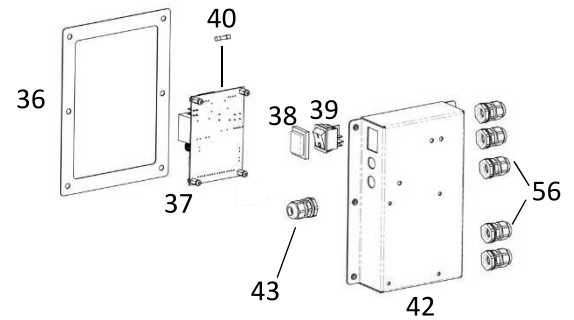


N°	Ref.	Designation
1	93607ST	Phosphated skate support
2	55239	Round rubber pad 119 x 31
3	93610ST	Original phosphate-plated lifting table shoe
4	93613RI	Lift table arm Red 3020
5	93792ST	Phosphated lifting table arm axis
6	43267	Axis brake for tumbler Ø30 raw steel din 6799
7-a	93832ST	Phosphated arm indexing plate
7-b	K0139ST	Ergolift phosphated indexing notches
7-c	41266	Schnorr safety washer type S M8x13x1.4
7-d	43244	Screw mx M8x16 CHC low head zn white cl 10.9
8	93796GF	Upper frame lifting table Grey 7021
9	93572GF	Lift table top frame housing Grey 7021
10	93562ST	Phosphated Bati Sup Axis
11	93793ST	Pivot bielle table élévatrice phosaphaté
12	93777GF	Front connecting rod lifting table Grey 7021
13	71961	Adjustable roller lever limit switch 1NO/1NC 10A 400V 0.1N
14	93594GF	Lift table sensor housing Grey 7021
15	93592GF	Lift table sensor housing Grey 7021
16	93784GF	Connecting rod ARD lifting table Grey 7021
17	93782GF	Connecting rod ARG lifting table Grey 7021
18	93795ST	Phosphated lifting table tiller guide plate
19	93791GF	Lower frame lifting table Grey 7021
20	93564ST	Baked Phosphated Cylinder Axis
21	70888	Single-acting cylinder left
22	70889	Straight single-acting cylinder

N°	Ref.	Designation
23	71095-3	BS 3/8 clip
24	71095-2	Hollow banjo screw 3/8 gas
25	71982 +71983 + 71984	Banjo GAS welded with tube 06-3/8 x 12L=200mm + Nut DN 12 banjo pipe - EC 12L + Clips DN 12 bango pipe - BA 12L/S
27	71637	Union Male BSP 3/8-Male BSP 3/8
28	71402	Union male/female 3/8 GAS L=48mm
29	55104	compensated flow limiter 3L/min
30	71981	Male/female elbow - CMF 12L NE
31	71980	Union male 3/8 CYL - UMCY 12L3/8 JENE
32	93794	Alu block solenoid valve lifting table
33	51842	Male plug stainless steel G1/8 hexagon socket + mounting gasket NBR 90SH
34	70992	2-way solenoid valve 220V AC fem/Fem UNF 3/4- 16
35	71165	Cable Gland Black PG11 5-10mm UL without nut



N°	Ref.	Designation
36	55297	Nitrile gasket 1mm thick
37	E0011C	Lift table circuit (E0011A / 65175ind1)
38	52463	Protective cover for Button 22 x 30
39	52460	Orange illuminated switch 230V - Box 22/30 - Marking O-I
40	51371	Fuse T1.25A – 250 VAC – 5 x 20
42	92213GF	Electronic board case Grey 7021
43	71165	Cable gland PG11
56	71161	Cable gland PG9



N°	Ref.	Designation
44	43255	Pin beta 3x56 zn white
45	56209	Wheel D=80mm L=70mm axis 20mm
46	43101	Closure plug Dint=28 Dext=30 Pe black
47	96167GF	Lift table drawbar Grey 7021
49	70886	2-button remote control and emergency stop
50	51365	Fuse T10A - 250 VAC – 5 x 20
51	92215	Support plate for hydraulic power pack lifting table Grey 7021
52	71380	Wheel fixing washer diameter=12
53	71370	Wheel Diameter=125mm Axis=12mm Width=35mm caps black
54	56061	Gys 1-Angle 1-Point Shoe (40x40x30 TPE/TPR 80sh)
55	71814	Complete hydraulic unit

